

HIGH SPEED AND LOW POWER SHIFT REGISTER BASED ON NON-OVERLAP DELAYED PULSED LATCHES

¹Lingireddy Mounika

²G.Suresh

¹PG Scholar, Dept of ECE, Sri Venkateswara Engineering College for Women, Karakambadi, Tirupati, Chittoor, Andhra Pradesh.

²Associate Professor, HOD, Dept of ECE, Sri Venkateswara Engineering College for Women, Karakambadi, Tirupati, Chittoor, Andhra Pradesh.

Abstract:-This paper proposes a low-power and area-efficient shift register using digital pulsed latches. The area and power consumption are reduced by replacing flip-flops with pulsed latches. This method solves the timing problem between pulsed latches through the use of multiple non-overlap delayed pulsed clock signals instead of the conventional single pulsed clock signal. The shift register uses a small number of the pulsed clock signals by grouping the latches to several sub shift registers and using additional temporary storage latches. A 256-bit shift register using pulsed latches was fabricated using a 0.18 μ m CMOS process with VDD = 1.8V. The core area is 6600 μ m². The power consumption is 1.2mW at a 100MHz clock frequency. The proposed shift register saves 37% area and 44% power compared to the conventional shift register with flip-flops. In digital circuits, a shift register is a cascade of flip flops, sharing the same clock, in which the output of each flip-flop is connected to the “data” input of the next flip-flop in the chain, resulting in a circuit that shifts by one position the “bit array” stored in it, shifting in the data present at its input and shifting out the last bit in the array, at each transition of the clock input. More generally, a shift register may be multidimensional, such that its “data in” and stage outputs are themselves bit arrays: this is implemented simply by running several shift registers of the same bit-length in parallel.

Keywords: Area-efficient, flip-flop, pulsed clock, pulsed latch, shift register

I. Introduction

Flip flops are the basic storage elements used extensively in all kinds of digital designs. As the feature size of CMOS technology process scaled down according to Moore’s Law, designers are able to integrate many numbers of transistors onto the same die. The more transistors there will be more switching and more power dissipated in the form of heat or radiation. Heat is one of the phenomenon packaging challenges in this epoch, it is one of the main challenges of low power design methodologies and practices. Another driver of low power research is the reliability of the integrated circuit. More switching implies higher average current is expelled and therefore the probability of reliability issues occurring rises. We are moving from laptops to tablets and even smaller computing digital systems. With this profound trend continuing and without a match trending in battery life expectancy, the more low power issues will have to be addressed. The current trends will eventually mandate low power design automation on a very large scale to match the trends of power consumption of today’s and future integrated chips. Power consumption of Very Large Scale Integrated design is given by Generalized relation, $P = CV^2f$ [1]. Since power is proportional to the square of the voltage as per the relation, voltage scaling is the most prominent way to reduce power dissipation. However, voltage scaling results in threshold voltage scaling which bows to the exponential increase in leakage power.

Though several contributions have been made to the art of single edge triggered flip-flops, a need evidently occurs for a design that further

improves the performance of single edge triggered flip-flops patterns. The architecture of a shift register is quite simple. An N-bit shift register is composed of series connected N data flip-flops. The speed of the flip-flops is less important than the area and power consumption because there is no circuit between flip-flops in the shift register. The smallest flip-flop is suitable for the shift register to reduce the area and power consumption. Recently, pulsed latches have replaced flip-flops in many applications, because a pulsed latch is much smaller than a flip-flop. But the pulsed latch cannot be used in a shift register due to the timing problem between pulsed latches.

II. Shift Registers

A shift register is the basic building block in a VLSI circuit. Shift registers are commonly used in many applications, such as digital filters, communication receivers and image processing ICs. Recently, as the size of the image data continues to increase due to the high demand for high quality image data, the word length of the shift register increases to process large image data in image processing ICs.

An image-extraction and vector generation VLSI chip uses a 4K-bit shift register. A 10-bit 208 channel output LCD column driver IC uses a 2K-bit shift register. A 16-megapixel CMOS image sensor uses a 45K-bit shift register. As the word length of the shift register increases, the area and power consumption of the shift register become important design considerations. The smallest flip-flop is suitable for the shift register to reduce the area and power consumption. Recently, pulsed latches have replaced flip-flops in many applications, because a pulsed latch is much smaller than a flip-flop. But the pulsed latch cannot be used in a shift register due to the timing problem between pulsed latches.

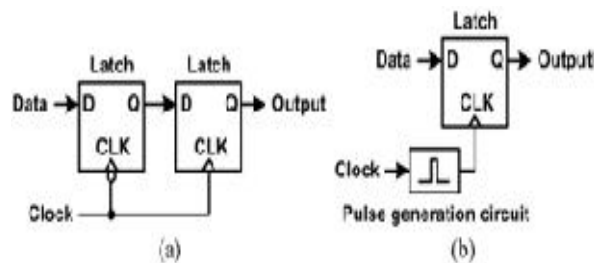


Figure 1: (a) Master-slave flip-flop. (b) Pulsed latch.

This paper proposes a low-power and area-efficient shift register using pulsed latches. The shift register solves the timing problem using multiple non-overlap delayed pulsed clock signals instead of the conventional single pulsed clock signal. The shift register uses a small number of the pulsed clock signals by grouping the latches to several sub shifter registers and using additional temporary storage latches. Shift registers can have both parallel and serial inputs and outputs.

These are often configured as 'serial-in, parallel-out' (SIPO) or as 'parallel-in, serial-out' (PISO). There are also types that have both serial and parallel input and types with serial and parallel output. There are also 'bidirectional' shift registers which allow shifting in both directions: $L \rightarrow R$ or $R \rightarrow L$. The serial input and last output of a shift register can also be connected to create a 'circular shift register'. Previous work often measured energy consumption using a limited set of data patterns with the clock switching every cycle. But real designs have a wide variation in clock and data activity across different TE instances.

For example, low power microprocessors make extensive use of clock gating resulting in many TEs whose energy consumption is dominated by input data transitions rather than clock transitions. Other TEs, in contrast, have negligible data input activity but are clocked every cycle. Shift registers, like counters, are a form of sequential logic. Sequential logic, unlike combinational logic is not only affected by the present inputs, but also, by the prior history. In other words, sequential logic remembers past events. Pulsed latch structures employ an edge-triggered pulse generator to provide a short transparency window. Compared to master-slave flip-flops, pulsed latches have the advantages of requiring only one latch stage per clock cycle and of allowing time-borrowing across cycle boundaries. The major disadvantages of pulsed latch structures are the increased susceptibility to timing hazards and the energy dissipation of the local clock pulse generators.

III. Proposed Architecture

A master-slave flip-flop using two latches in Fig.1(a) can be replaced by a pulsed latch consisting of a latch and a pulsed clock signal in Fig. 1(b). All pulsed latches share the pulse generation circuit for the pulsed clock signal. As a result, the area and power consumption of the pulsed latch become almost half of those of the master-slave flip-flop. The pulsed latch is an attractive solution for small area and low power consumption.

The pulsed latch cannot be used in shift registers due to the timing problem, as shown in Fig. 2. The shift register in Fig. 2(a) consists of several latches and a pulsed clock signal (CLK_pulse). The operation waveforms in Fig. 2(b) show the timing problem in the shift register. The output signal of the first latch (Q1) changes correctly because its input signals of the first latch (IN) is constant during the clock pulse width (TPULSE). But the second latch has an uncertain output signal (Q2) because its input signal (Q1) changes during the clock pulse width.

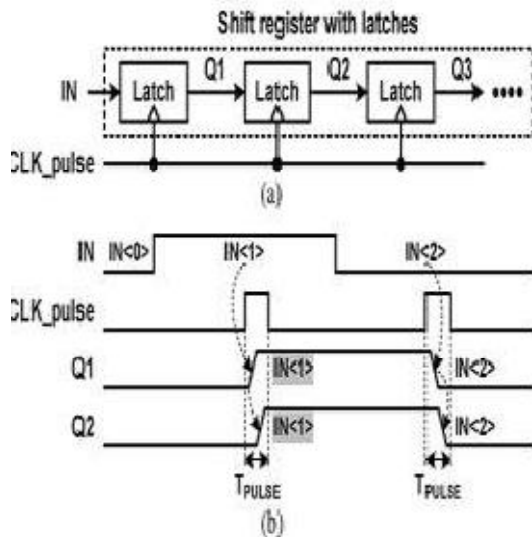


Fig. 2. Shift register with latches and a pulsed clock signal. (a) Schematic. (b) Waveforms

One solution for the timing problem is to add delay circuits between latches, as shown in Fig. 3(a). The output signal of the latch is delayed and reaches the next latch after the clock pulse. As shown in Fig. 3(b) the output signals of the

first and second latches (Q1 and Q2) change during the clock pulse width, but the input signals of the second and third latches (D2 and D3) become the same as the output signals of the first and second latches (Q1 and Q2) after the clock pulse. As a result, all latches have constant input signals during the clock pulse and no timing problem occurs between the latches. However, the delay circuits cause large area and power overheads.

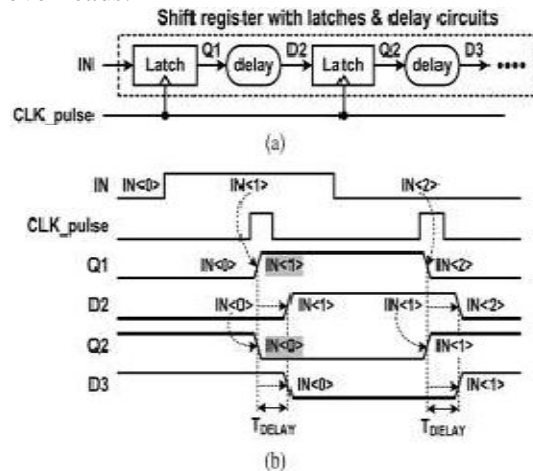


Fig. 3. Shift register with latches, delay circuits, and a pulsed clock signal. (a) Schematic. (b) Waveforms

A 4-bit sub shifter register consists of five latches and it performs shift operations with five non-overlapped delayed pulsed clock signals (CLK_pulse<1:4> and CLK_pulse<T>). In the 4-bit sub shift register #1, four latches store 4-bit data (Q1-Q4) and the last latch stores 1-bit temporary data (T1) which will be stored in the first latch (Q5) of the 4-bit sub shift register #2. Fig.4(b) shows the operation waveforms in the proposed shift register.

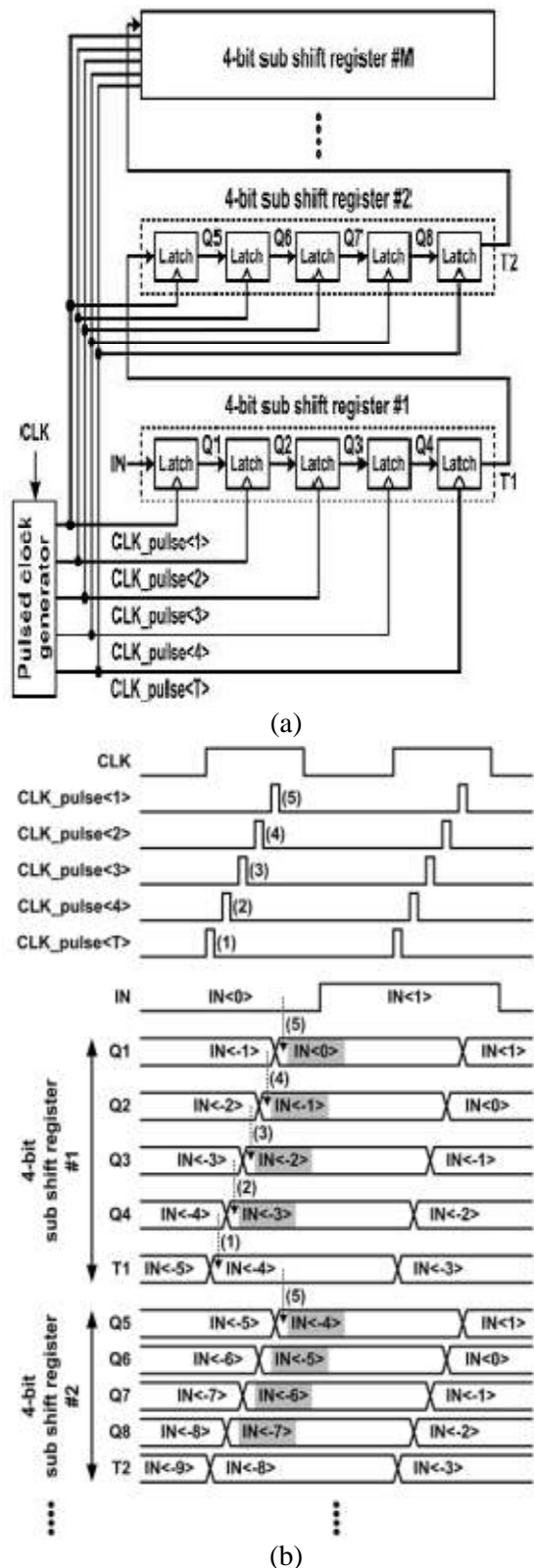


Fig. 4. Proposed shift register. (a) Schematic. (b) Waveforms.

The numbers of latches and clock-pulse circuits change according to the word length of the sub shift register .isselected by considering the area, power consumption, speed.

Area optimization: The area optimization can be performed as follows. Whenthe circuit areas are normalized with a latch, the areas of a latchand a clock-pulse circuit are 1 and , respectively. The total area becomes $(\alpha_A \times (K + 1) + N \left(1 + \frac{1}{K}\right))$. The optimal $K (= \sqrt{N/\alpha_A})$ for the minimum area is obtained from the first-order differential equation of the total area $(0 = \alpha_A - N/K)$. An integer for the minimum area is selected as a divisor of, which is nearest to $\sqrt{N/\alpha_A}$.

Power optimization: The power optimization is similar to the area optimization. The power is consumed mainly in latches and clock-pulse circuits. Each latch consumes power for data transition and clock loading. When the circuit powers are normalized with a latch, the power consumption of a latch and a clock-pulse circuit are 1 and , respectively. The total power consumption is also $(\alpha_p \times (K + 1) + N \left(1 + \frac{1}{K}\right))$. An integer for the minimum power is selected as a divisor of , which is nearest to $\sqrt{N/\alpha_p}$.

Chip Implementation: The maximum clock frequency in the conventional shift register is limited to only the delay of flip-flops because there is no delay between flip-flops. Therefore, the area and power consumption are more important than the speed for selecting the flip-flop. The proposed shift register uses latches instead of flipflops to reduce the area and power consumption.

V. FUTURE SCOPE

SRAM is a type of semiconductor memory which is volatile in nature (retains the data as long as power is being supplied). It performs both read and write operations to store and fetch the data, based on the particular address. The read and write operations are

controlled by the word line. Based on the bitline condition the data in it is stored and consists of a 1bit latch to store the data.

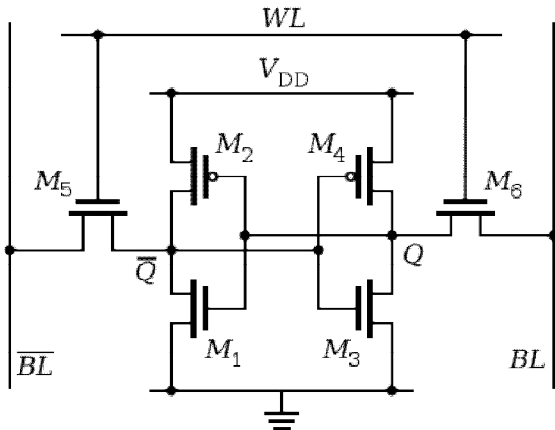


Fig. 5. 6T SRAM

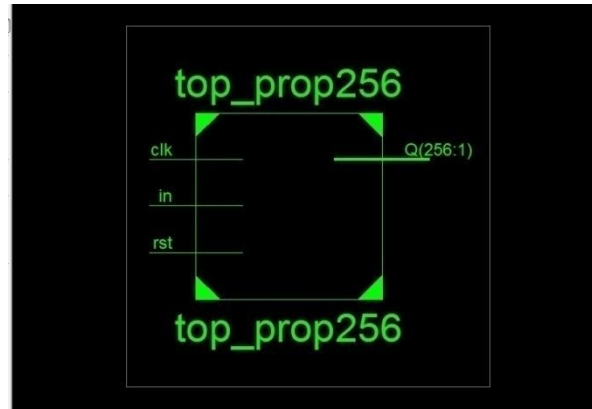
The 256bit pulsed latch shift register is used as part of SRAM in order to store the data in SRAM and fetch the data according to the given address location. So that it has low power consumption than the memory with general latch.

VI. Simulation Results

Top Module:



RTL Schematic:



Design Summary:

Device Utilization Summary (estimated values)			
Logic Utilization	Used	Available	Utilization
Number of Slices	186	4656	3%
Number of Slice Flip Flops	322	9312	3%
Number of 4 input LUTs	5	9312	0%
Number of bonded IOBs	259	66	392%
Number of GCLKs	6	24	25%

Timing Report:

Data Path: m65/m1/Q_1 to Q<253>					
Cell:in->out	fanout	Gate Delay	Net Delay	Logical Name (Net Name)	
FDR:C->Q	1	0.514	0.357	m65/m1/Q_1 (m65/m1/Q_1)	
OBUF:I->O		3.169		Q_253_OBUF (Q<253>)	
Total		4.040ns (3.683ns logic, 0.357ns route)			
		(91.2% logic, 8.8% route)			

CONCLUSION

This paper proposed a low-power and area-efficient shift register using pulsed latches. The shift register reduces area and power consumption by substituting flip-flops with pulsed latches. The timing problem between pulsed latches is solved using multiple non-overlap delayed pulsed clock signals as an alternative of a single pulsed clock signal.

REFERENCES

- [1] Xiaowen Wang, and William H. Robinson, "A Low-Power Double Edge Triggered Flip-Flop with Transmission Gates and Clock Gating" IEEE Conference, pp 205-208, 2010.

- [2] Phaedon Avouris, Joerg Appenzeller, Richard Martel, and Shalom J. Wind. "Carbon nanotube electronics". *Proceedings of the IEEE*, 91(11):1772–84, November 2003.
- [3] Fabien Pregaldiny et al., "Design Oriented Compact Models for CNTFETs", *IEEE Trans. Elec. dev.*, 2006.
- [4] "Flop Based on Signal Feed-Through Scheme" *International Journal of Advanced Research in Electronics and Communication Engineering (IJARECE)* Volume 3, Issue 11, November 2014.
- [5] Manojkumar Nimbalkar, Veeresh Pujari "Design of low power shift register using implicit and explicit type flip flop", Vol 05, Article 05357 June 2014
- [6] S. Heo, R. Krashinsky, and K. Asanovic, "Activity-sensitive flip-flop and latch selection for reduced energy," *IEEE Trans. Very Large Scale Integr. (VLSI) Syst.*, vol. 15, no. 9, pp. 1060–1064, Sep. 2007.
- [7] S. Naffziger and G. Hammond, "The implementation of the next generation 64 bit titanium microprocessor," in *IEEE Int. Solid-State Circuits Conf. (ISSCC) Dig. Tech. Papers*, Feb. 2002, pp. 276–504.
- [8] H. Partovi et al., "Flow-through latch and edge-triggered flip-flop hybrid elements," *IEEE Int. Solid-State Circuits Conf. (ISSCC) Dig. Tech. Papers*, pp. 138–139, Feb. 1996.
- [9] E. Consoli, M. Alioto, G. Palumbo, and J. Rabaey, "Conditional push-pull pulsed latch with 726 fJops energy delay product in 65 nm CMOS," in *IEEE Int. Solid-State Circuits Conf. (ISSCC) Dig. Tech. Papers*, Feb. 2012, pp. 482–483.
- [10] V. Stojanovic and V. Oklobdzija, "Comparative analysis of master-slave latches and flip-flops for high-performance and low-power systems," *IEEE J. Solid-State Circuits*, vol. 34, no. 4, pp. 536–548, Apr. 1999.
- [11] Y. W. Kim, J. S. Kim, J. W. Kim, and B.-S. Kong, "CMOS differential logic family with conditional operation for low-power application," *IEEE Transactions on Circuits and Systems II: Express Briefs*, vol. 55, No. 5, 2008, pp. 437–441.
- [12] P. Girard, "Low power testing of VLSI circuits: Problems and solutions," in *First International Symposium on Quality Electronic Design*, March, 2000, pp. 173–179.
- [13] N. Sirisantana, L. Wei, and K. Roy, "High performance low-power CMOS circuits using multiple channel length and multiple oxide thickness," in *Int. Conf. on Computer Design*, September, 2000, pp. 227–232.
- [14] G. Singh and V. Sulochana, "Low Power Dual Edge-Triggered Static D Flip-Flop," *arXiv preprint arXiv*, 1307.3075, 2013.
- [15] M. Nimbalkar and V. Pujari, "Design Of Low Power Shift Register Using Implicit And Explicit Type Flip Flop." *International Journal of VLSI and Embedded Systems*, vol. 5, 2014, pp. 1023–1027.
- [16] Zhao, Peiyi, Tarek K. Darwish, and Magdy Bayoumi. "High-performance and low-power conditional discharge flip-flop." *IEEE Transactions on Very Large Scale Integration (VLSI) Systems*, vol. 12, no. 5 2004, pp. 477–484.